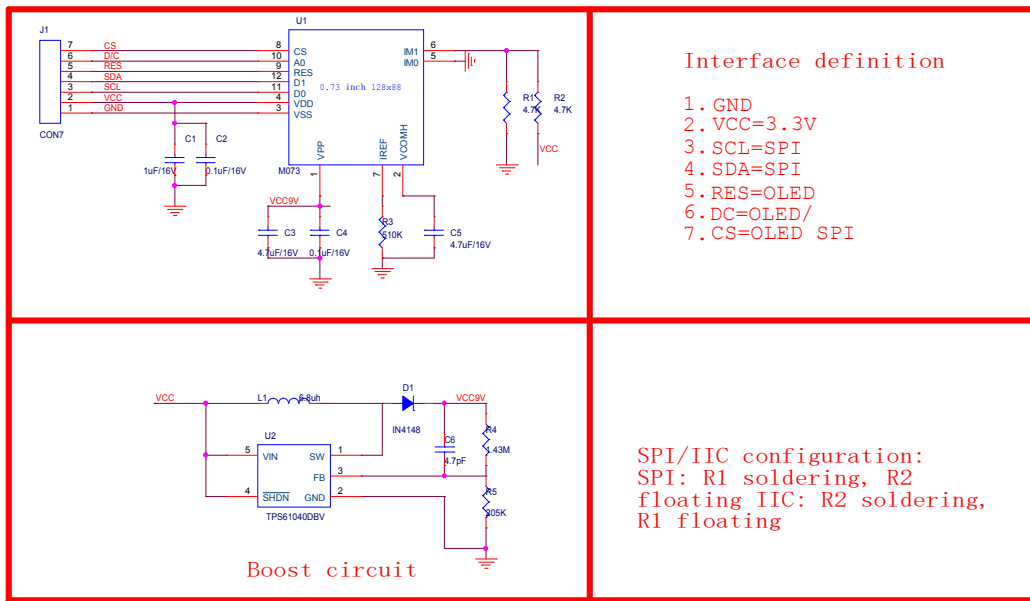


Specification Sheet

Model No. : ZJY015

Description : 0.73inch OLED Screen resolution 128*88
Size:24.6*27.78mm Driver Chip SH1107 interface SPI/IIC 7Pin
Voltage 3.3-5V Font Color Option White ZJY015

0.73 inch 128X88 OLED Module Schematic
 communication interface is SPI/IIC
 defaults to SPI interface
 Driver chip: SSH1107



Interface definition

1. GND
2. VCC=3.3V
3. SCL=SPI
4. SDA=SPI
5. RES=OLED
6. DC=OLED/
7. CS=OLED SPI

SPI/IIC configuration:
 SPI: R1 soldering, R2
 floating IIC: R2 soldering,
 R1 floating